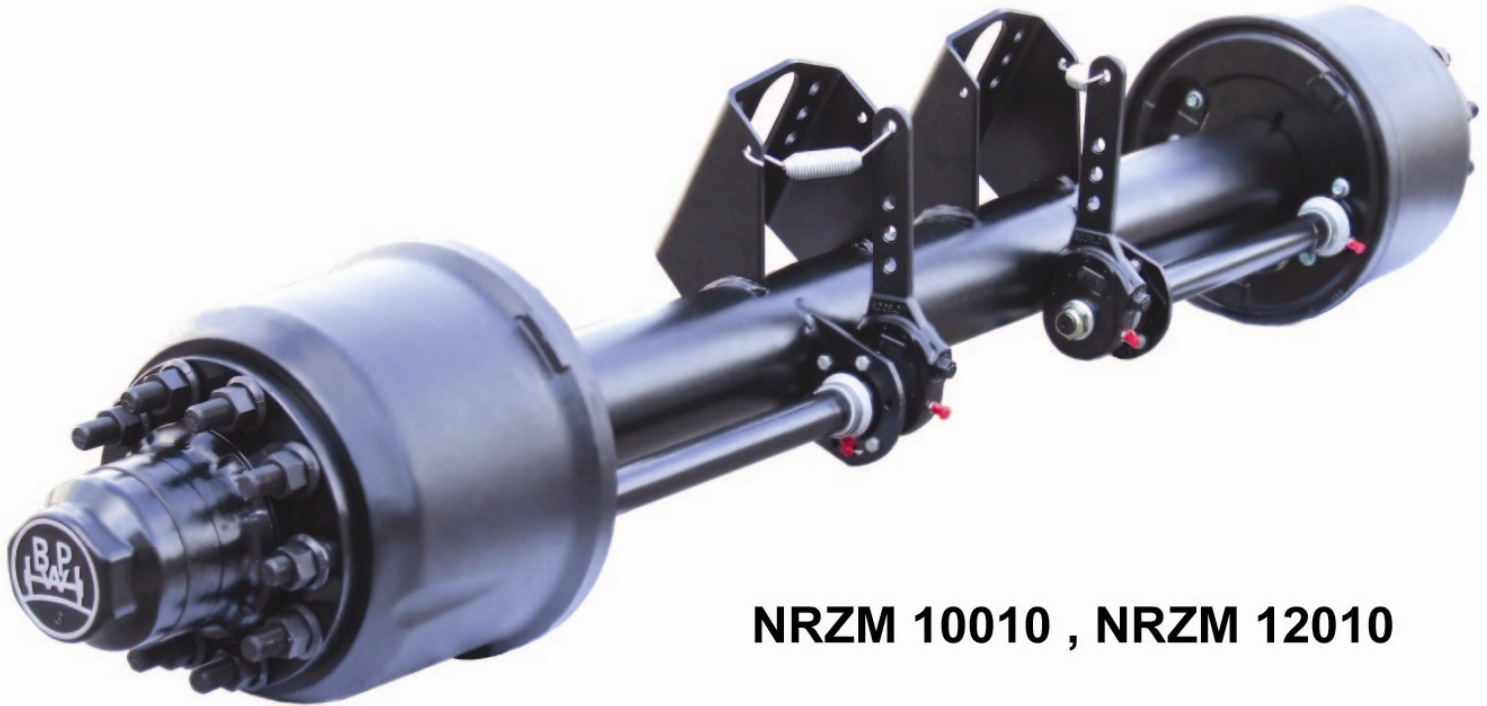




[BPW Axles | Low Bed Axle]

Introducing BPW 10 and 12 tonne low bed axle. Discover the features and benefits of our seamless product.



NRZM 10010 , NRZM 12010

Low loader axle - Features and Benefits

1. Lightweight:

Low inherent weight combined with the highest possible stiffness for heavy payload resulting in over 70kg lighter than standard axle.

2. Even Tyre Wear:

Axle beam has a positive chamber and a narrow toe-in tolerance to enhance safety and minimise operating cost.

3. Drum Brake Ø300mm X 200mm:

Fits 15" and 17.5" rims to allow low platform loading height. Provides low-maintenance, low-wear and low thermal load.



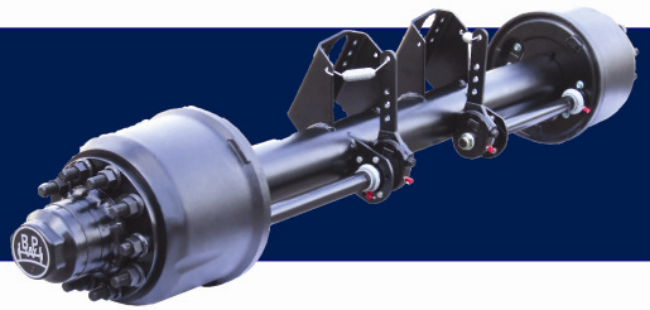
Over-width & Over-height Cargo Trailer



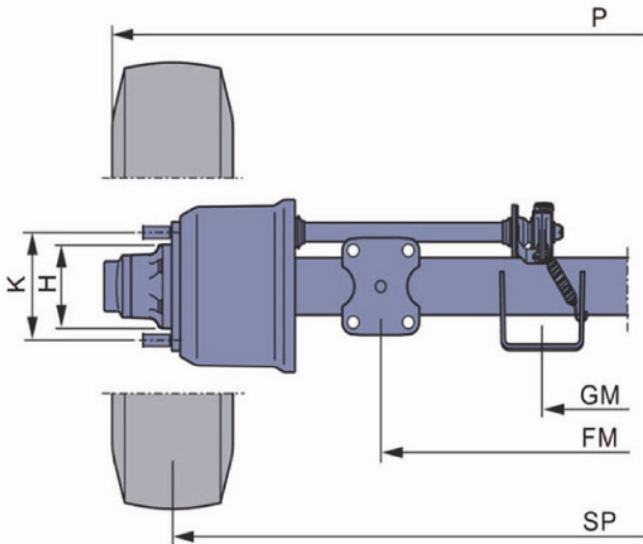
Low Platform Trailer



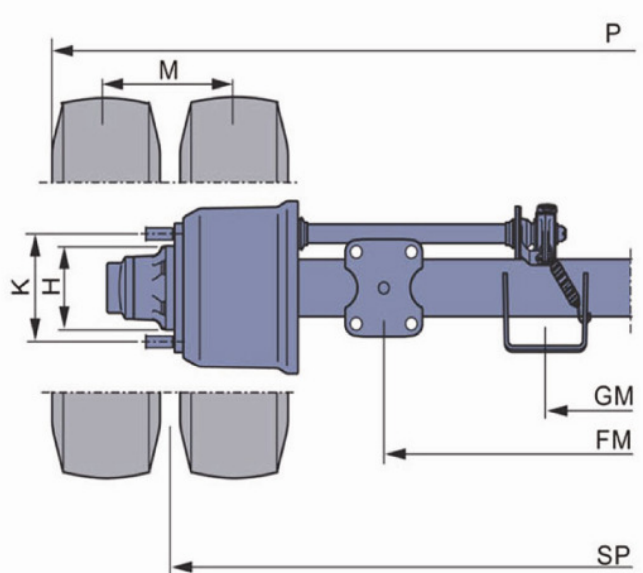
Car Transporter



NRSM



NRZM



Model	Axle load @ 105km/h (kg)	Brake	Track width SP (mm)	Recommended Spring Center FM (mm)	Boost bracket center GM (mm)	Axle beam (mm)	Wheel connection			Tyre example	Weight (kg)
							Wheel stud	ø H/K (mm)	Rim size (in)		
NRZM10010	10000	SN3020	1830	860-1050	242	Ø127×17	10×M22×1.5	175.8/225	15"/17.5"	235/75R17.5	293
NRZM10010	10000	SN3020	1950	980-1170	362	Ø127×17	10×M22×1.5	175.8/225	15"/17.5"	235/75R17.5	298
NRZM12010	12000	SN3020	1830	960-1050	242	Ø127×20	10×M22×1.5	175.8/225	15"/17.5"	235/75R17.5	303
NRZM12010	12000	SN3020	1950	1080-1170	362	Ø127×20	10×M22×1.5	175.8/225	15"/17.5"	235/75R17.5	310

Note:

1. Suitable for leaf spring suspension.
2. More options in tyre and rim configurations are available, according to manufacturer's information.
3. Other track widths available on request.
4. Additional equipments: Hubodometer, ABS, auto-slack adjusters available on request.
5. All rights reserved by BPW Asia Pte Ltd to make amendments when necessary. All information provided here is subject to change without prior notice.

